

PROJECTION CONFIGURATION CHANGE

Before Installation Change

The projector is electrically and mechanically set for 100 inch diagonal screen, front throw ceiling mount and a projection angle of 11 degrees. If your application is different from the factory setting (for example, ceiling to floor and screen size between 60 and 300 inch), you will have to reconfigure the projector for your application. Follow the change procedures according to the instructions below.

To change screen size only:

1) Set the focus ring to the proper position.	
For 60" screen size R—A-2, B-2 G—A-1, B-2 B—A-2, B-2	For 200-300" R—A-5, B-5 G—A-1, B-5 B—A-5, B-5
2) Adjust the angle of the CRTs	
For 60" screen size Move the CRT to the 60 position.	For 200-300" Move the CRT to the 200 or 300 position.
3) Adjust the decorative lens panel	
For 60" screen size Adjust to match the 60 position.	For 200-300" Adjust to match the 200 or 300 position.
4) Degauss the projector.	

To change to the desk top system(front)

1) Reverse the scan	
H—1-Red, 2-Blue V—1-Brown, 2-Yellow A—1-Blue, 2-Red B—1-Brown, 2-Yellow	
2) Set the focus ring to the proper position.	
For 60" screen size R—A-2, B-2 G—A-1, B-2 B—A-2, B-2	For 200-300" R—A-5, B-5 G—A-1, B-5 B—A-5, B-5
3) Adjust the angle of the CRTs	
For 60" screen size Move the CRT to the 60 position.	For 200-300" Move the CRT to the 200 or 300 position.
4) Adjust the decorative lens panel	
For 60" screen size Adjust to match the 60 position.	For 200-300" Adjust to match the 200 or 300 position.
5) Degauss the projector.	

PROJECTION CONFIGURATION CHANGE

To change to the ceiling mount system(rear)

1) Reverse the scan	
H—1-Red, 2-Blue V—1-Yellow, 2-Brown A—1-Blue, 2-Red B—1-Yellow, 2-Brown	
▼	
2) Set the focus ring to the proper position.	
For 60" screen size R—A-2, B-2 G—A-1, B-2 B—A-2, B-2	For 200-300" R—A-5, B-5 G—A-1, B-5 B—A-5, B-5
▼	
3) Adjust the angle of the CRTs	
For 60" screen size Move the CRT to the 60 position.	For 200-300" Move the CRT to the 200 or 300 position.
▼	
4) Adjust the decorative lens panel	
For 60" screen size Adjust to match the 60 position.	For 200-300" Adjust to match the 200 or 300 position.
▼	
5) Degauss the projector.	

To change to the front desk top system (rear, 0 projection angle)

1) Reverse the scan	
H—1-Blue, 2-Red (same as ceiling front type) V—1-Brown, 2-Yellow A—1-Red, 2-Blue B—1-Brown, 2-Yellow	
▼	
2) Set the focus ring to the proper position.	
For 60" screen size R—A-2, B-1 G—A-1, B-1 B—A-2, B-1	For 200-300" R—A-5, B-1 G—A-1, B-1 B—A-5, B-1
▼	
3) Adjust the angle of the CRTs	
For 60" screen size Move the CRT to the 60 position.	For 200-300" Move the CRT to the 200 or 300 position.
▼	
4) Adjust the decorative lens panel	
For 60" screen size Adjust to match the 60 position.	For 200-300" Adjust to match the 200 or 300 position.
▼	
5) Degauss the projector.	

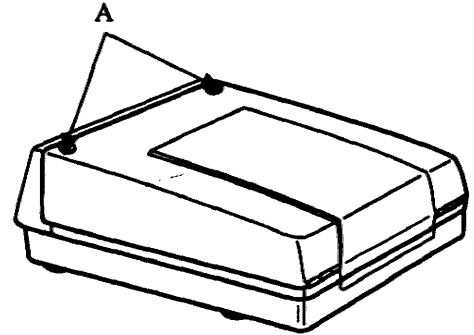
Opening Top Cover

NOTE:

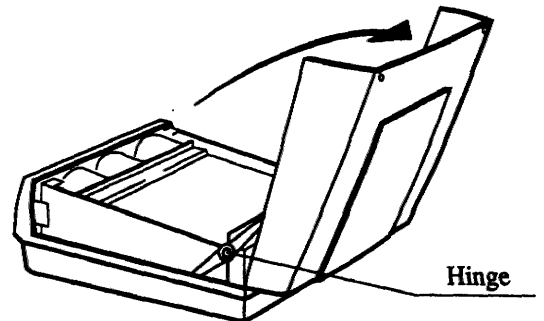
- Be sure to turn off the projector and unplug the power cord before opening the top cover.

To open the top cover, proceed as follows:

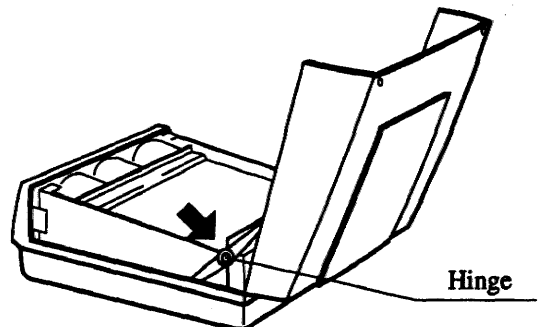
- ① Loosen two screws A.
 - Screws A are a retaining screw.



- ② Raise the top front of the projector in the direction of the arrow.
 - Be sure to open the top cover until the hinges lock.



- ③ To close it, push the hinges in the direction of the arrow, then close the top cover.
- ④ Tighten the two A screws.



PROJECTION CONFIGURATION CHANGE

Scan Reversal

You will have to reverse the horizontal, vertical and convergence polarity when changing the projector's configuration.

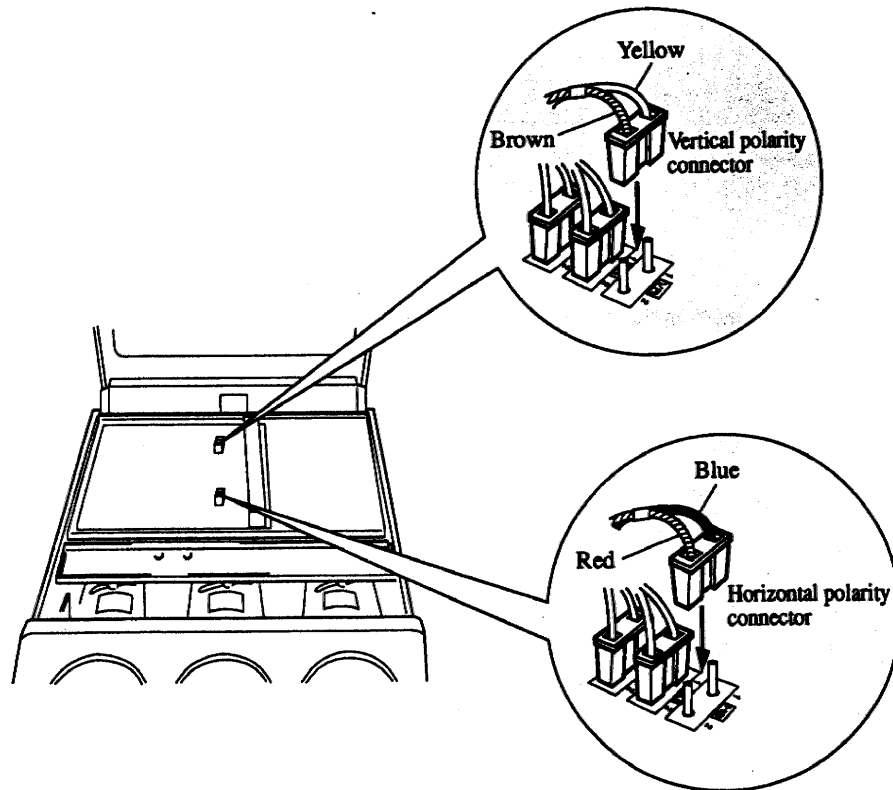
To reverse the scan, proceed as follows:

- ① Open the top cover.
 - See Opening Top Cover section.
- ② Reverse the vertical and horizontal scan.
 - To reverse the scan there are two sets of plugs on the sweep board. VR, VG and VB are the vertical connectors (V=vertical and RGB=color) and HR, HG and HB are the horizontal connectors (H=horizontal and RGB=color). Remove the plug and turn it 180 degrees, then reinstall. Do this for all three of either horizontal or vertical connectors depending upon your application (See Table below)

Connector pin Setting	HR, HG, HB		VR, VG, VB	
	① Lead	② Lead	① Lead	② Lead
Ceiling front	Blue	Red	Yellow	Brown
Desk top front	Red	Blue	Brown	Yellow
Ceiling rear	Red	Blue	Yellow	Brown
Desk top rear	Blue	Red	Brown	Yellow

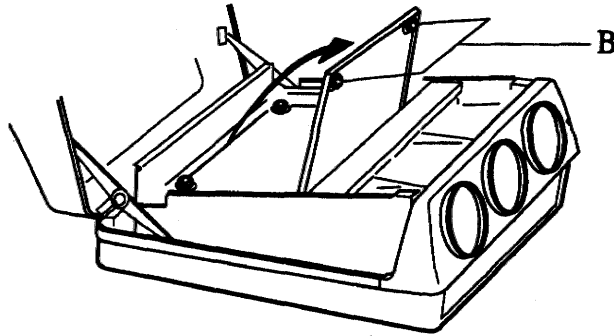
NOTE: The table is for non mirror applications.

Horizontal and Vertical polarity



PROJECTION CONFIGURATION CHANGE

- ③ Loosen screw B, then lift the upper chassis(DFC).
 • Screws B are a retaining screw.

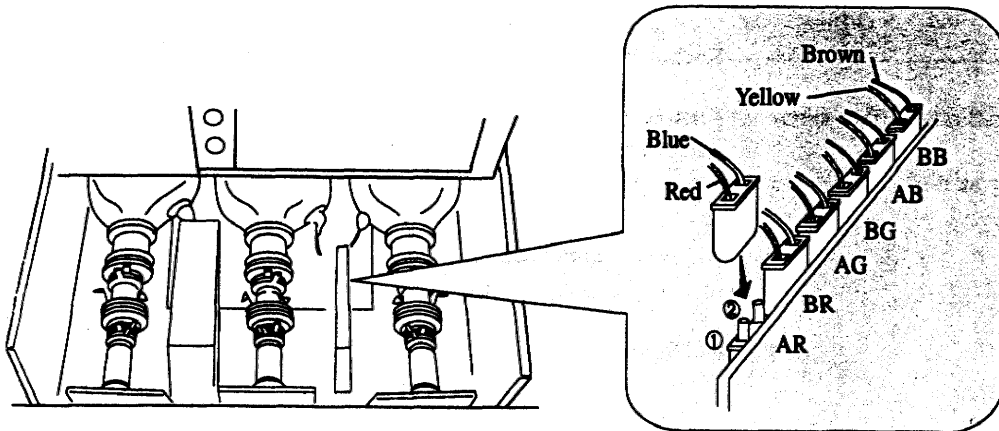


- ④ Reverse the convergence connectors(AR, BR, AG, BG, AB and BB) on CONV-DRIVE.
 See Table below.

Connector pin / Setting	AR,AG,AB		BR,BG,BB	
	① Lead	② Lead	① Lead	② Lead
Ceiling front	Red	Blue	Yellow	Brown
Desk top front	Blue	Red	Brown	Yellow
Ceiling rear	Blue	Red	Yellow	Brown
Desk top rear	Red	Blue	Brown	Yellow

NOTE: The table is for non mirror applications.

Convergence polarity change



- ⑤ Close the upper chassis(DFC). Tighten the two screws B.

PROJECTION CONFIGURATION CHANGE

Screen Size Change (Adjusting Focus Rings and CRT Angle)

The projector can project an image from 60 to 300 inches diagonal. From the factory the projector is set for ceiling mount, 100 inch diagonal screen size and a projection angle of 11 degrees. The projector can be used in either 11 or zero degree application.

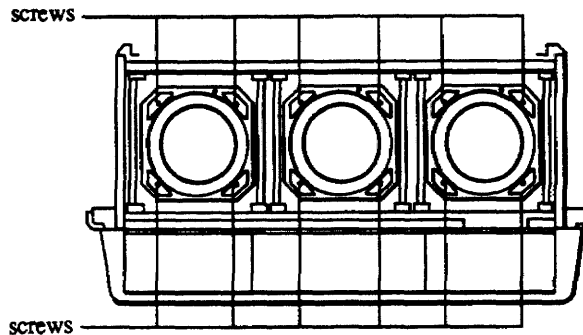
•Adjusting Focus Rings

There are three sets of adjusting focus rings, two between each CRT and lens. These focus rings are used for maintaining optimum edge focus for the various screen sizes and projection angles.

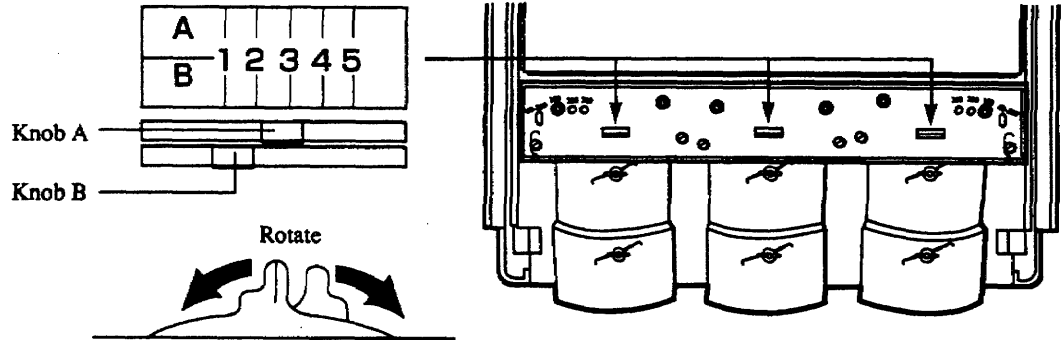
*When setting the focus rings or changing CRT angle, you must first remove the front panel.

1. Loosen the four screws at the lens.

CAUTION: Be careful not to remove any of the four screws completely. A falling lens can cause serious injury especially when the projector is installed on the ceiling.



2. Rotate and set the knobs (A and B) to the right position. The table below lists which position the knob should be set to for any given screen size and angle. The similar table is also on the back of the top cover.



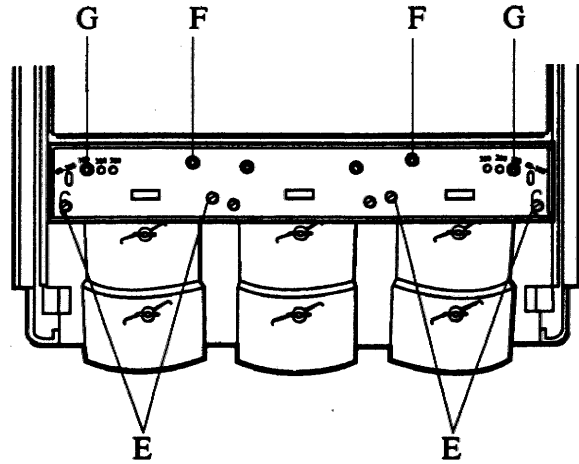
3. Tighten the four screws.

Position of Knobs

Projection angle and screen size	CRT						
	R		G		B		
	Knob A	Knob B	Knob A	Knob B	Knob A	Knob B	
11°	60" ~ 90"	2	2	1	2	2	2
	91" ~ 130"	3	3	1	3	3	3
	131" ~ 170"	4	4	1	4	4	4
	171" ~ 300"	5	5	1	5	5	5
0°	60" ~ 90"	2	1	1	1	2	1
	91" ~ 130"	3	1	1	1	3	1
	131" ~ 170"	4	1	1	1	4	1
	171" ~ 300"	5	1	1	1	5	1

•Adjusting Angle of CRTs

To adjust the angle of the CRTs, remove screws G and loosen screws E and F.



Now you can move the tube and lens assembly to one of the three other positions. Then replace screws G and tighten screws E and F. This process needs to be done for the red and blue CRTs. The green CRT is never repositioned. Use the table below to select the proper setting for your screen size.

•The threaded hole marked "60-300" is drilled lengthwise so you can move the CRT assembly to any screen size. Adjust the red and blue lens so that the red or blue beam is aligned with the green beam. Then tighten the screws G.

Metal impression stamp screen size	60-300	100	200	300
Range of screen size (diagonal)	60"-300"	100"	200"	300"

Before replacing the front panel adjust the decorative lens panels to match the screen size so that they do not touch the lens barrels or interfere with the normal operations of the lens.

Loosen the screws at the three points on the two left and right decorative lens panels, then slide the panels to match the screen size.

•Tighten the three screws after completing the above procedures.

